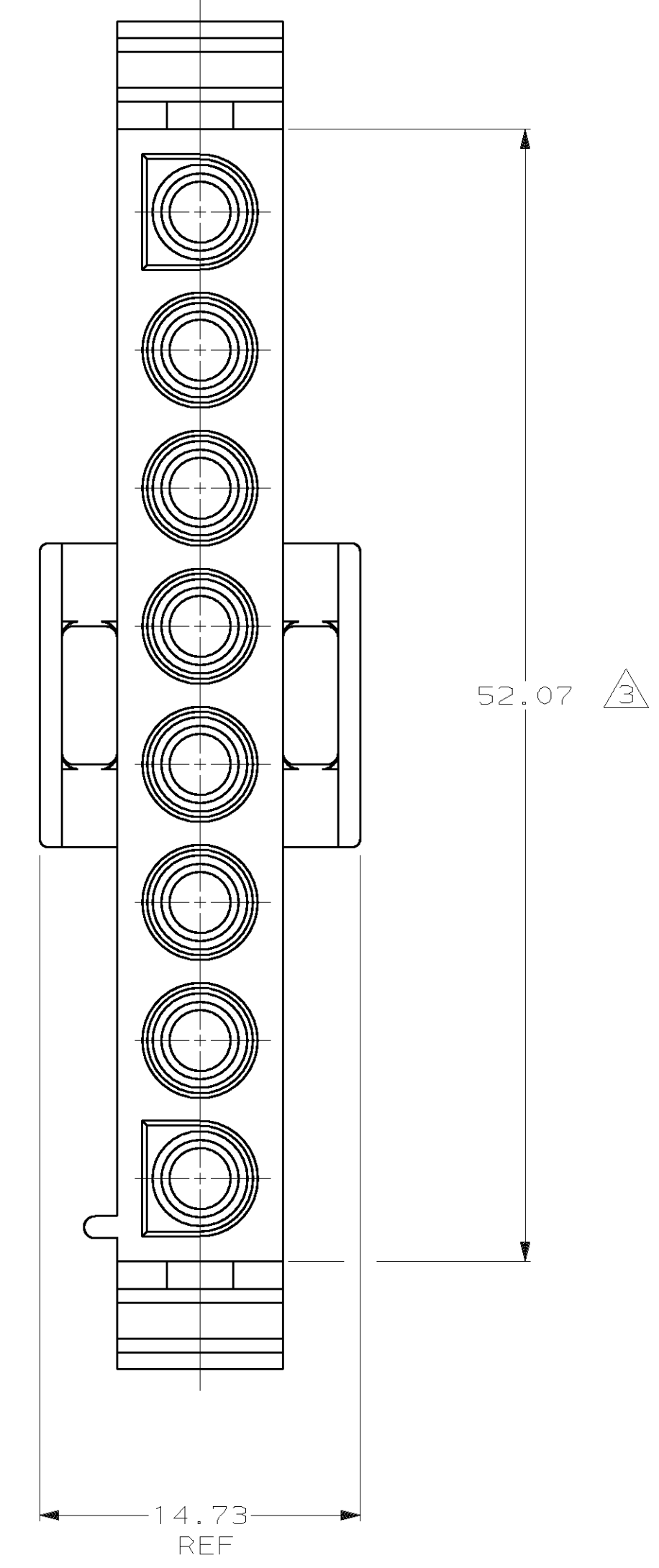
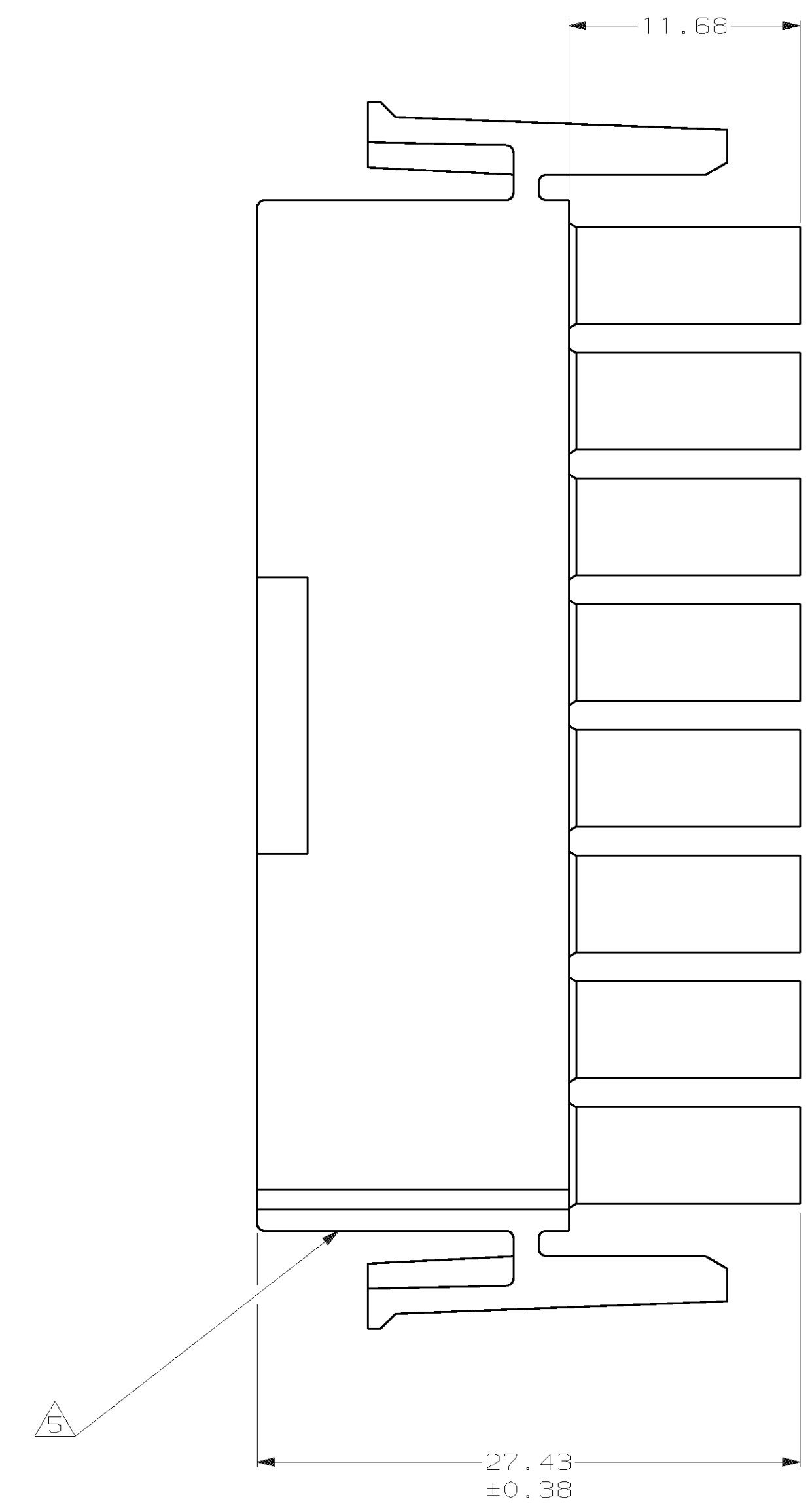
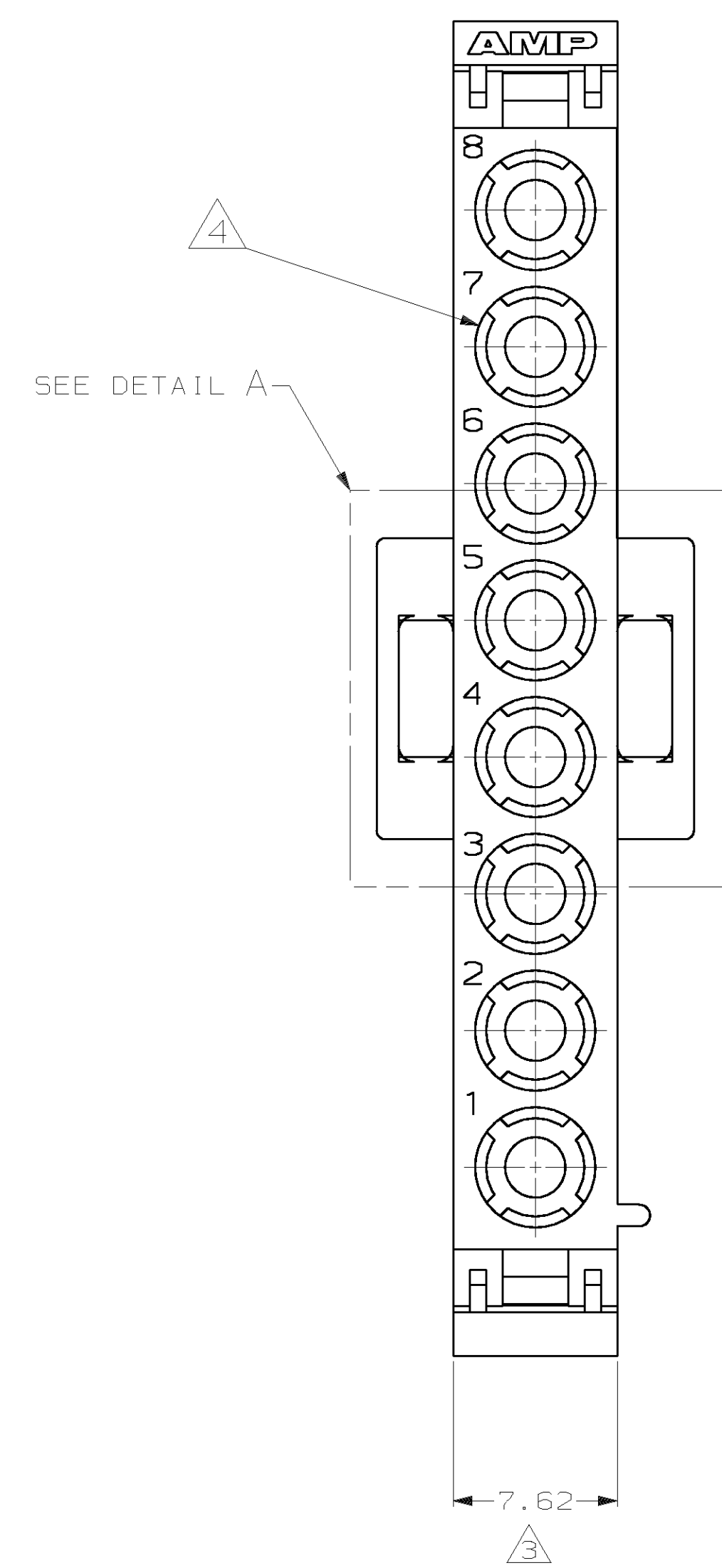
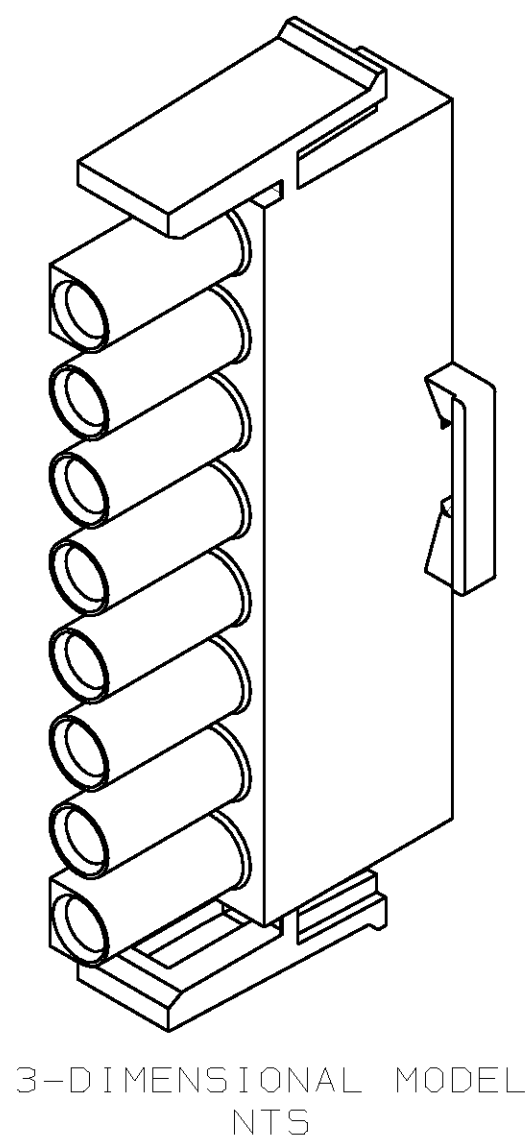
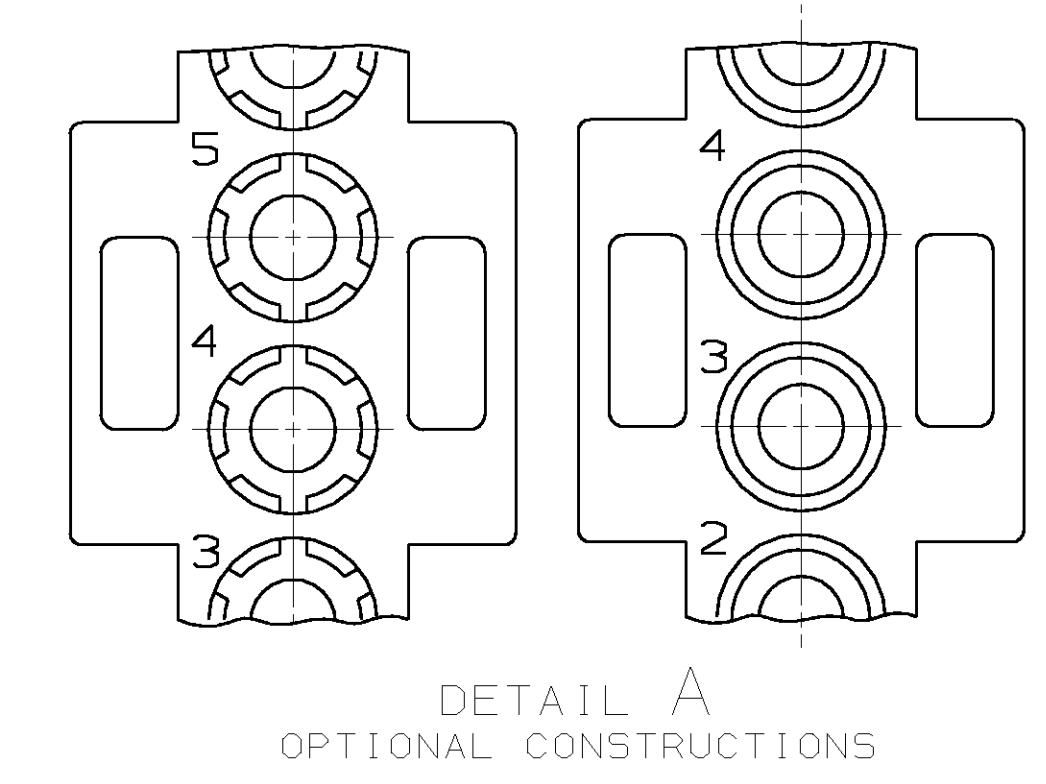


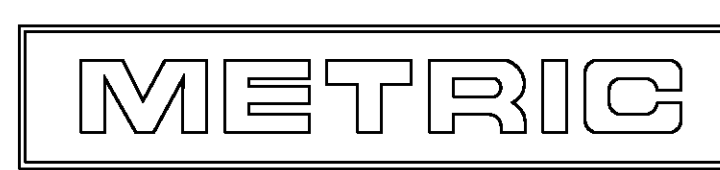
LOC		DIST		P		F		ZONE		LTR		REVISIONS		DATE	APPR
CM		53										DESCRIPTION		18-FEB-99	JH
R												REV PER EC 061B-0229-98		RS	



- MATES WITH APPROPRIATE UNIVERSAL MATE-N-LOK™ CAP OR HEADER.
- SMALL NICKS ARE PERMITTED ON THE CIRCUIT TOWERS WHICH COULD INCREASE THE INITIAL HOUSING MATING FORCE BY UP TO 4.4 NEWTONS [1.0 LBS]. NO INDIVIDUAL NICKED TOWER SHALL INCREASE THIS FORCE BY OVER 2.2 NEWTONS [0.5 LBS].
- DIMENSION INDICATED IS AS MOLDED. ADDITIONAL GROWTH DUE TO SUBSEQUENT MOISTURE ABSORPTION MAY OCCUR.
- FOUR RIBS EQUALLY SPACED, NO SPECIFIC ORIENTATION. NO RIBS OR SIX RIBS EQUALLY SPACED, NO SPECIFIC ORIENTATION, OPTIONAL.
- UNDERWRITERS RECOGNIZED COMPONENT LOGO AND CSA CERTIFICATION LOGO TO BE LOCATED ONCE EACH ON SIDE OF HOUSING.



52.07	2.050
27.43	1.080
14.73	.580
11.68	.460
7.62	.300
0.38	.015
0.13	.005
MM	IN
CONVERSION TABLE	



DO NOT SCALE PRINT. UNLESS SPECIFIED DIMENSIONS IN mm [INCHES]		DR 2-28-92 K. WHITAKER		AMP Incorporated Harrisburg, PA 17105-3608	
TOLERANCES ON:		CHK 2-28-92 R. SWING		NAME	
2 PLC DEC ± 0.13		APPD 3-5-92 D. SELF		PLUG, 8 CIRCUIT, UNIVERSAL MATE-N-LOK™	
3 PLC DEC ± -		APPD 3-5-92 D. SELF		SIZE	
ANGLES ± 0°30'		PRODUCT SPEC		CAGE CODE	
MATERIAL		APPLICATION SPEC		DRAWING NO	
NYLON, UL 94V-0		-		D 00779	
NYLON		-		640586	
FINISH		WEIGHT		SCALE	
-		-		4:1	
				SHEET	
				1 OF 1	

640586-1
PART NO